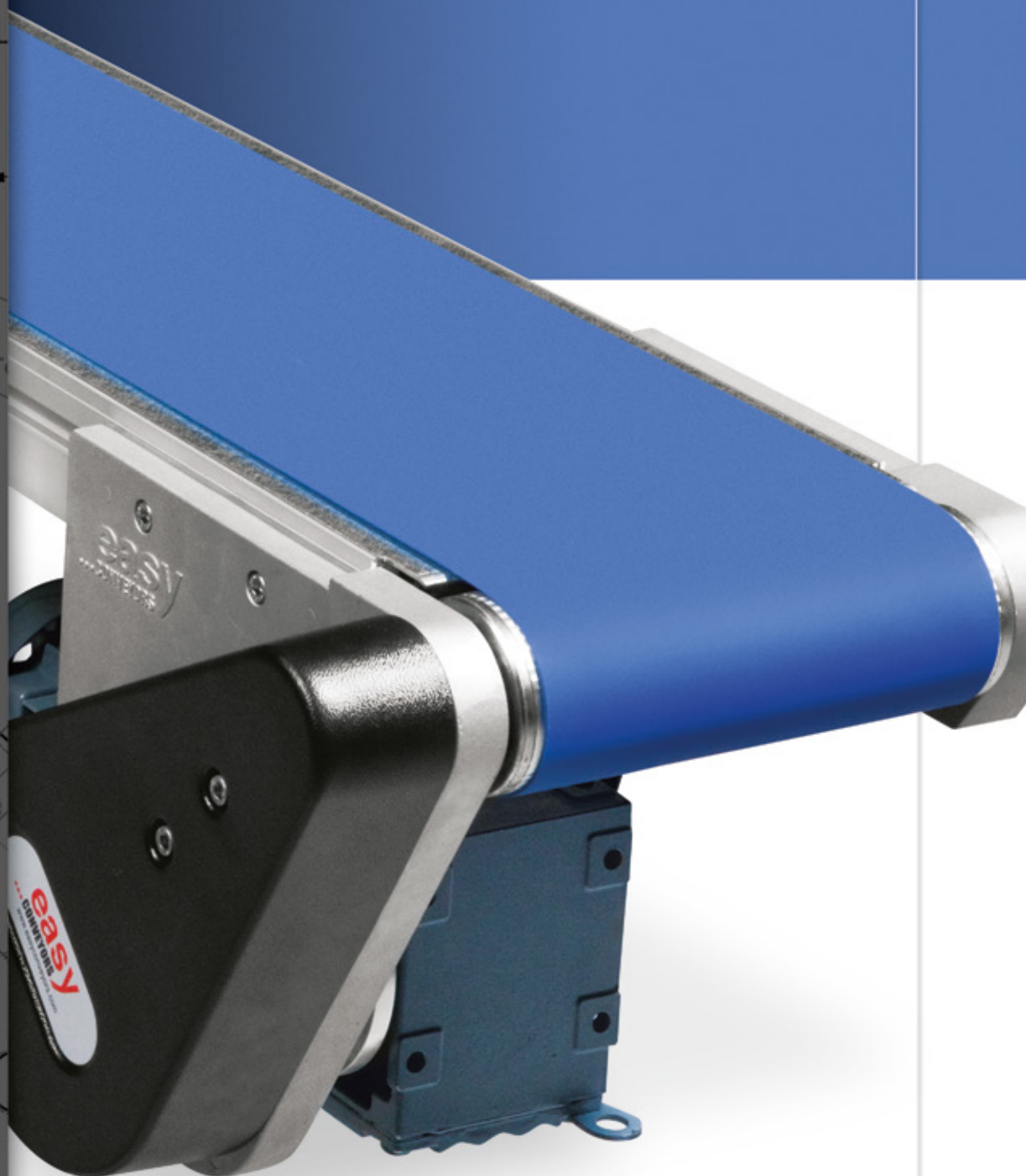




EBS
SYSTEM

BELT CONVEYORS



easy
...CONVEYORS

www.easy-conveyors.com



Easy Conveyors is a manufacturer modular conveyor systems. Our Product range consists of components for belt-, mat top-, table top- and roller conveyors.

BELT CONVEYORS

EBS 40 transmission drive with 15 mm knife edge



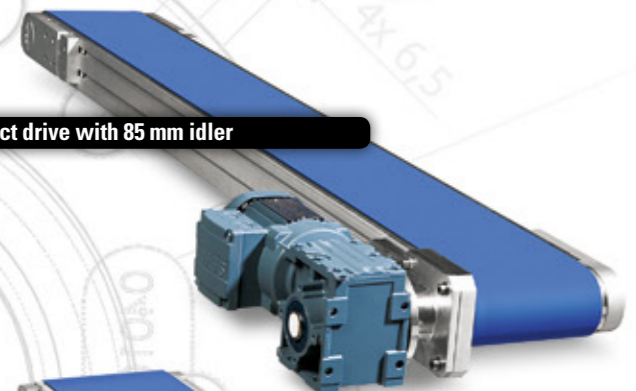
EBS 80 transmission drive with 85 mm idler



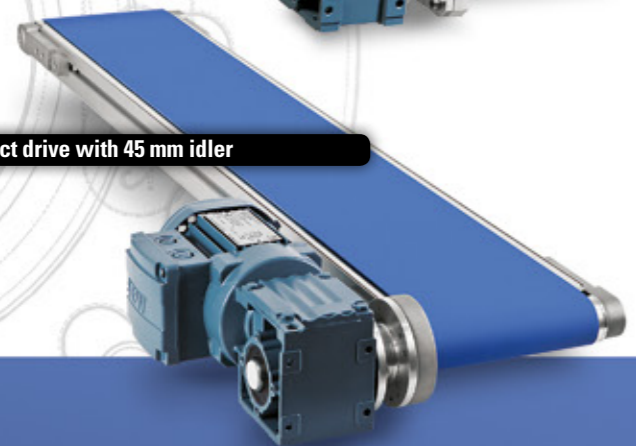
EBS 40 drum drive with 45 mm idler



EBS 80 direct drive with 85 mm idler

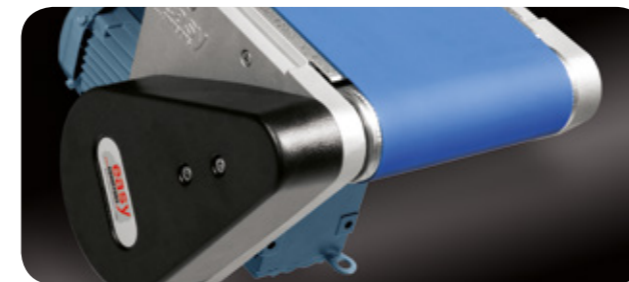


EBS 40 direct drive with 45 mm idler



The Easy Conveyors concept is based on long experience in R&D and continuous quality improvement of product conveyor systems. On this base we continuously developing competitive products for our customers worldwide.

Our product range is based on the modular building principle. Because of this modular building principle, our systems are compatible and the same components can be used in all our types of conveyor systems. Because of this we are able to create the highest quality, flexibility and the best conditions.



THE BENEFITS FOR YOU ARE OBVIOUS:

Intelligent products for competitive prices.

The conveyor systems are manufactured in such a way that they are very easy to assemble, install and maintain with the use of simple hand tools. This means a significant saving in the assembly time costs for the dealer or in the case of self-assembling.

Our special selected and fully trained dealers are able to assist, advise or support you about all technical or commercial aspects of our products. When you want to know more about our product possibilities and prices, feel free to check our website www.easy-conveyors.com or contact your local dealer (part of our extensive worldwide dealer network).

Easy Conveyors offers the possibility on the website to configure different types of conveyor systems in a detailed download version in various formats (autoCad, solid works, Pro-engineer and more ...) You can integrate the created conveyor system in your own drawing files or production layouts.

The 2 series:

- **EBS 40**

The aluminium conveyor EBS 40 series offers 15 mm and 45 mm return rollers in different configurations. Those belt conveyors are suitable for high maximum load capacity, makes this range very versatile for many applications.

- **EBS 80**

The aluminium conveyor EBS 80 series is the real-heavyweight of the range. With a large maximum load capacity, widths up to 1200 mm and a maximum length of 16000 mm, this is the belt conveyor for heavy duty requirements.

Our belt conveyors are available in 2 types:

EBS 40, standard widths from 100 till 600 mm
EBS 80, standard widths from 200 till 1200 mm

More detailed information can be found in our easy conveyors components and system catalogue on our website:

www.easy-conveyors.com

CONFIGURATION OF YOUR CONVEYOR SYSTEM ONLINE:

Go to the website www.easy-conveyors.com

Go to the menu bar and select CONFIGURATOR. Configurator program will open. Choose your language with the use of country flags.



STEP 1 Go to Product & CAD and choose your required type of conveyor system.

STEP 2 Choose your specific type of conveyor.

STEP 3 Add requested parameters.

STEP 4 Add requested parameters.

STEP 5 Add requested parameters.

STEP 6 Select bottom right, CAD file or Data sheet. Your CAD drawing or Pdf datasheet will be created in left side frame ready for downloading.

STEP 7 Download or save your designed conveyor system as 3D drawing.

