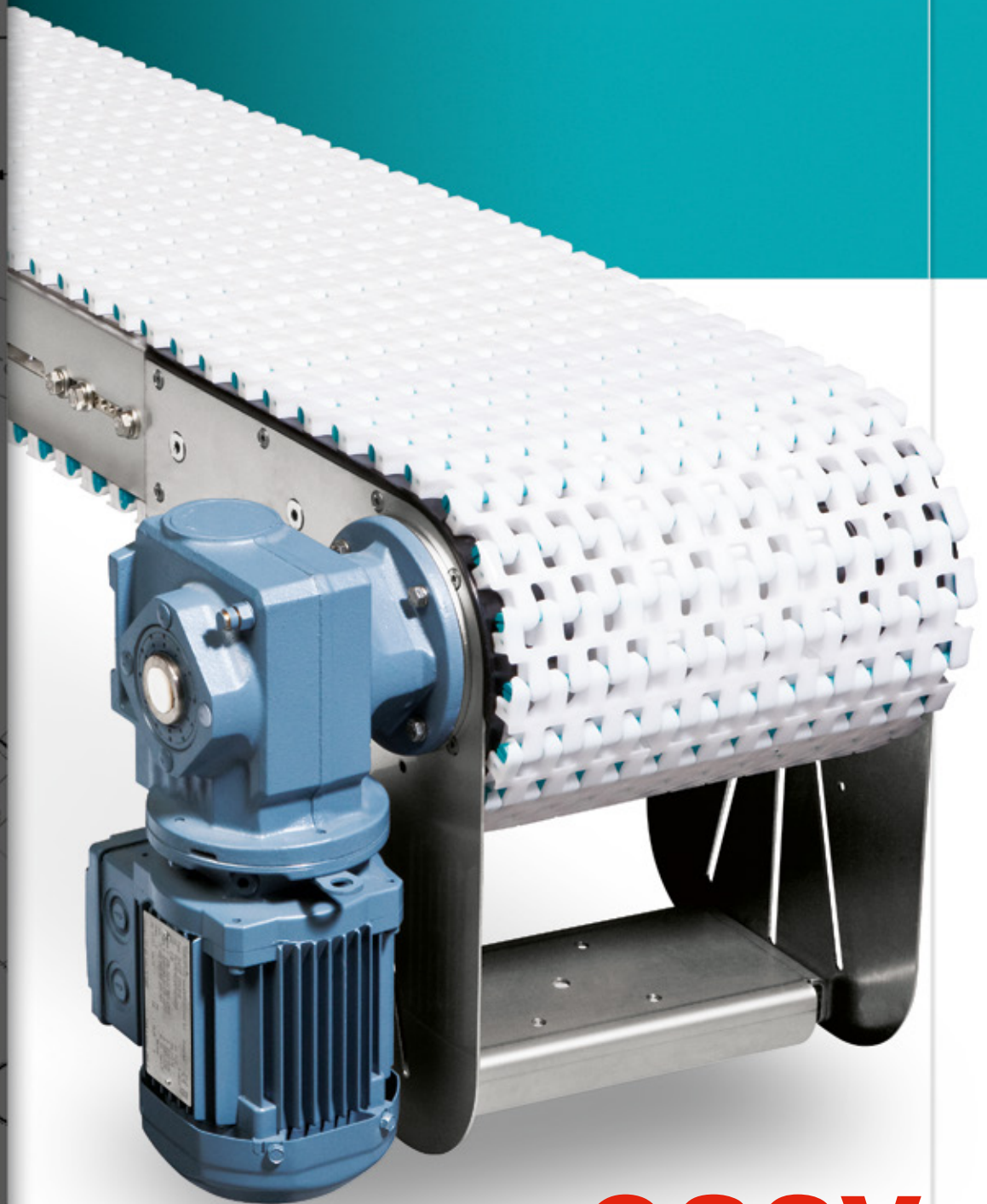




EMBS
SYSTEM

MAT TOP CONVEYORS

Stainless steel & aluminium



easy
...CONVEYORS

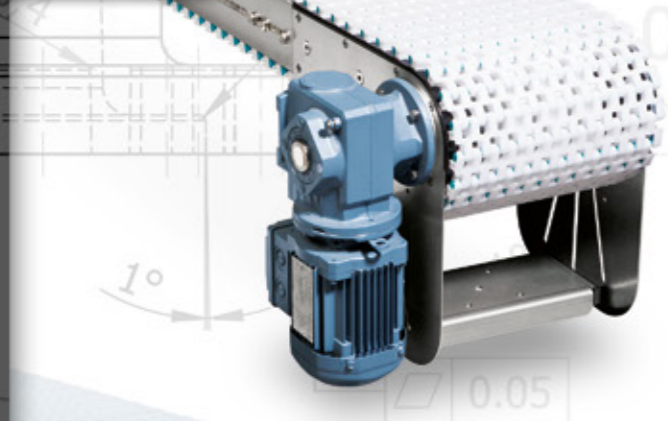
www.easy-conveyors.com



Easy Conveyors is a manufacturer of modular conveyor systems. Our Product range consists of components for belt-, mat top-, table top- and roller conveyors.

MAT TOP CONVEYORS

EMBS Head Drive



The Easy Conveyors concept is based on long experience in R&D and continuous quality improvement of product transport systems. On this base we continuously developing competitive products for our customers worldwide.

Our product range is based on the modular building principle. Because of this modular building principle, our systems are compatible and the same components can be used in all our types of conveyor systems. Because of this we are able to create the highest quality, flexibility and the best conditions.

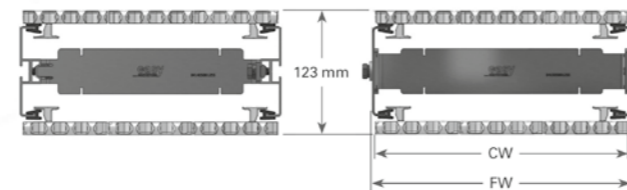
The conveyors can be supplied in aluminium or stainless steel versions. An perfect fitting multi flex plastic chain allows the system straight, horizontal and vertical running capability. Because of this flexibility, space saving abilities, economic use is guaranteed. The chain range is from 255 up to 510 mm wide and for product widths up to 700 mm.

Aluminium system

This conveyor system based on Aluminium profiles uses a plastic chain that permits horizontal as well as vertical change of direction. In addition to the standard types, several special purpose chain links are available on request. The standard widths are 255, 340, 425 and 510 mm.

Aluminium system

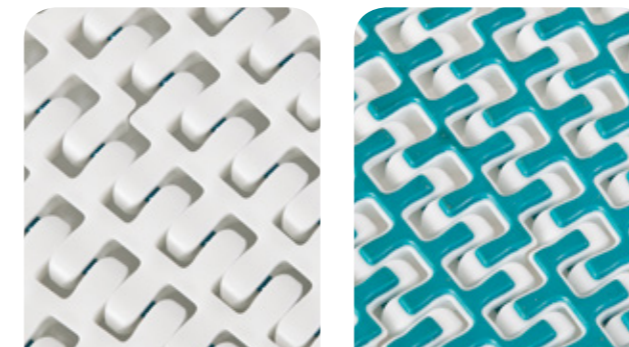
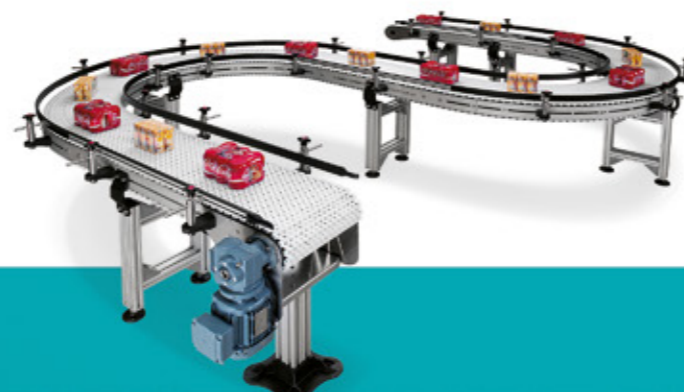
Stainless steel system



Examples of product handling:

Hugh product varieties such as :large boxes, products in soft plastic bags, for example detergent powder, wrapped tissue paper rolls, food products, personal care products packed cookies, bread, electric motors, cans, meat, fuel injectors, dry batteries, plastic bottles, matches, cheese boxes, coffee and tea packages, clean fruits

Conveyor with custom made supports and side guiding.



Stainless Steel System (Hygienic conveyor design)

The Stainless steel conveyor Series is a conveyor which is adapted to the requirements of the food processing, pharmaceutical and hygiene industries.

The system is designed for easy integration with aluminium systems, and many chain types are available from the standard range. It is designed according to the EHEDG* guidelines. The EMBS wash down systems are suitable for hygienic solutions as industry standard conveyor systems.

The stainless steel Series is ideal for filling lines within the food, personal products and liquid pharmaceuticals branches.



Easy de-assembling everywhere in the conveyor.

Technical characteristics EMBS series

	255	340	425	510
Chain tension limit in straight section, static	7650 N	10200 N	12750 N	15300 N
Chain tension limit in curve	2500 N	2500 N	2500 N	2500 N
Frame width (FW)	260 mm	344 mm	429 mm	513 mm
Chain width (CW)	255 mm	340 mm	425 mm	510 mm
Product width	< 400 mm	< 500 mm	< 600 mm	< 700 mm
Maximum conveyor length*	22 m	22 m	22 m	22 m

* depending on the lay out

THE BENEFITS FOR YOU ARE OBVIOUS:

Intelligent products for competitive prices.

The conveyor systems are manufactured in such a way that they are very easy to assemble, install and maintain with the use of simple hand tools. This means a significant saving in the assembly time costs for the dealer or in the case of self-assembling.

Our special selected and fully trained dealers are able to assist, advise or support you about all technical or commercial aspects of our products. When you want to know more about our product possibilities and prices, feel free to check our website www.easy-conveyors.com or contact your local dealer (part of our extensive worldwide dealer network).

Easy Conveyors offers the possibility on the website to configure all different types of conveyor systems in a detailed download version in various formats (autoCad, solid works, Pro-engineer and more ...) You can integrate the created conveyor system in your own drawing files or production layouts.



*) European Hygiene Engineering and Design Group, an EU machine directive for safe and hygienic machinery.

More detailed information can be find in our easy conveyors components and system catalogue on our website:

www.easy-conveyors.com





CONFIGURATION OF YOUR CONVEYOR SYSTEM ONLINE:

Go to the website www.easy-conveyors.com

Go to the menu bar and select CONFIGURATOR. Configurator program will open. Choose your language with the use of country flags.



STEP 1

STEP 1 Go to Product & CAD and choose your required type of conveyor system.

STEP 2 Choose your specific type of conveyor.

STEP 3 Add requested parameters.

STEP 4 Add requested parameters.

STEP 5 Add requested parameters.

STEP 6 Select bottom right, CAD file or Data sheet.

Your CAD drawing or Pdf datasheet will be created in left side frame ready for downloading.

STEP 7 Download or save your designed conveyor system as 3D drawing.



STEP 2



STEP 5



STEP 3



STEP 6



STEP 4



STEP 7